



Custom Moldings Catalog

Prospective Mill Shop partner,

Hello! Thank you for considering the Mill Shop. As an extension of Sticks & Stuff, we share the same philosophies and ideologies: we are here to get what you want done. What we at the Mill Shop bring to Sticks & Stuff is a completely customizable product. Anything you can dream, we can build. We can even help provide a professional design approach to your idea.

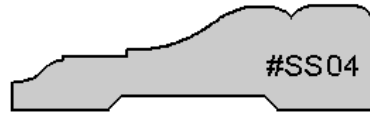
This catalog contains all of our molding profiles, but they are in no way limited to what you see here. From edges on cabinets, to custom handrails, we have an extensive assortment of custom profiles. We can create any design, so think of this catalog as a guide, to help inspire you for what can be done.

Sincerely,

The Mill Shop at Sticks & Stuff



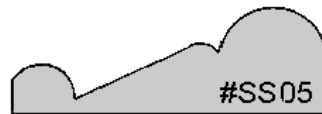
window & door casing 1



3/4" x 2-1/2"
3HM 3PM 3CM



3/4" x 2-1/2"
3HM 3PM 3CM



3/4" X 2-3/16
3HM 3PM 3CM



3/4" x 2-1/2"
3HM 3PM 3CM



3/4" x 2-1/2"
3HM 3PM 3CM



3/4" x 2-1/2"
3HM 3PM 3CM



3/4" x 2-1/2"
3HM 3PM 3CM



3/4" x 2-3/4"
3HM 3PM 3CM

HM = red oak

PM = clear pine or poplar

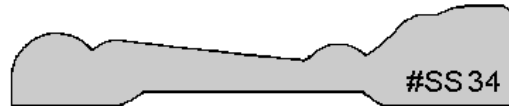
CM = cherry or maple or birch



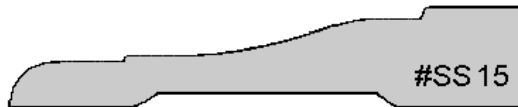
window & door casing 2



11/16" x 3-3/8"
4HM 4PM 4CM



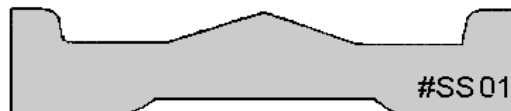
3/4" X 3-7/16"
4HM 4PM 4CM



11/16" X 3-1/2"
4HM 4PM 4CM



3/4" X 3-1/2"
4HM 4PM 4CM



3/4" X 3-1/2"
4HM 4PM 4CM



3/4" X 3-1/4"
4HM 4PM 4CM

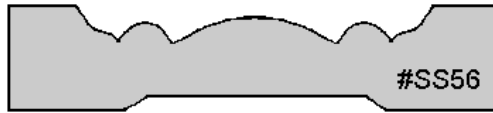
HM = red oak

PM = clear pine or poplar

CM = cherry or maple or birch



window & door casing 3



3/4" X 3-3/8"
4HM 4PM 4CM



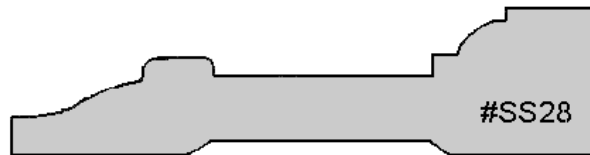
3/4" X 3-1/4"
4HM 4PM 4CM



3/4" X 4-5/16"
6HM 6PM 6CM



1" X 3-1/2"
6HM 6PM 6CM



15/16" X 4"
8HM 8PM 8CM

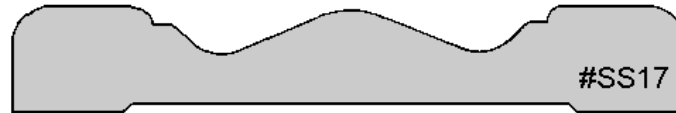
HM = red oak

PM = clear pine or poplar

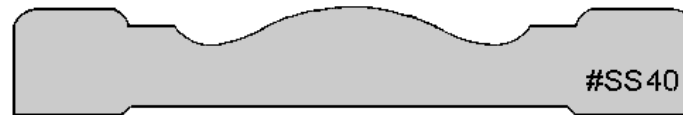
CM = cherry or maple or birch



window & door casing 4



3/4" X 4-3/4"
6HM 6PM 6CM



1 1/16" X 4-3/4"
6HM 6PM 6CM



1 1/16" X 4-1/2"
6HM 6PM 6CM



3/4" x 5-1/2"
6HM 6PM 6CM



3/4" x 5-1/2"
6HM 6PM 6CM

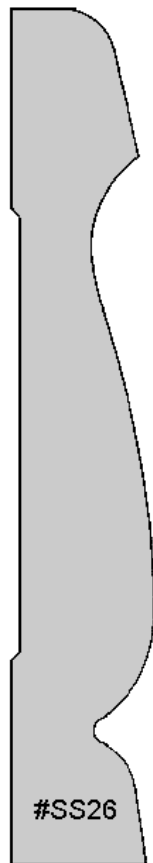
HM = red oak

PM = clear pine or poplar

CM = cherry or maple or birch



bases & base caps 1



#SS26

1" X 6"
8HM 8PM 8CM



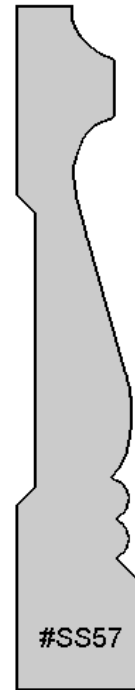
#SS43

1 1/16" X 5-1/2"
6HM 6PM 6CM



#SS22

3/4" X 4-3/4"
6HM 6PM 6CM



#SS57

1" X 4-3/4"
8HM 8PM 8CM

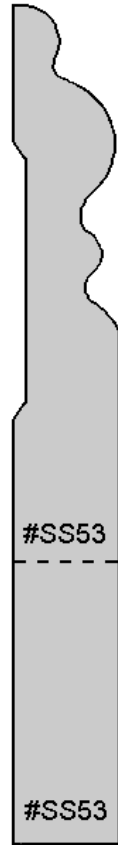
HM = red oak

PM = clear pine or poplar

CM = cherry or maple or birch



bases & base caps 2



#SS53
3/4"x3-1/2"
4HM 4PM 4CM
3/4"x5-1/2"
6HM 6PM 6CM



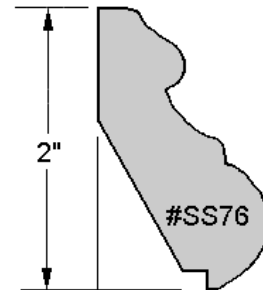
#SS08
11/16" X 1-1/2"
hcap



#SS38
5/8"x1-3/4"
hcap



#SS36
11/16"x1-11/16"
hcap



#SS76
2"
3/4"
1-3/16"
4HM 4PM 4CM



#SS30
11/16"x1-11/16"
hcap



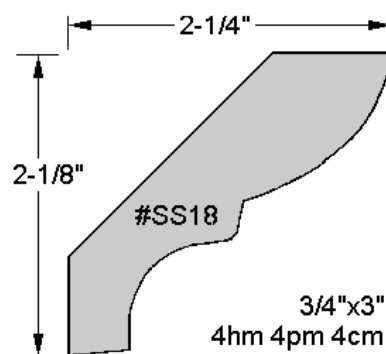
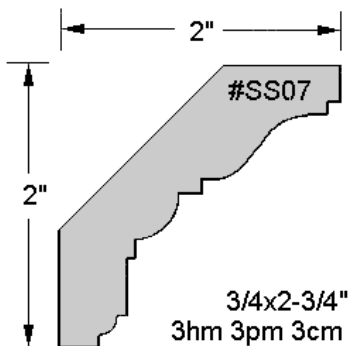
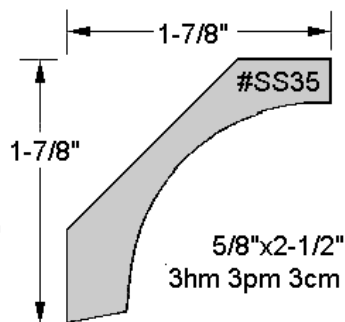
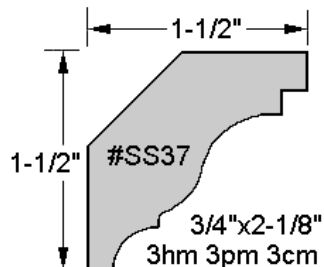
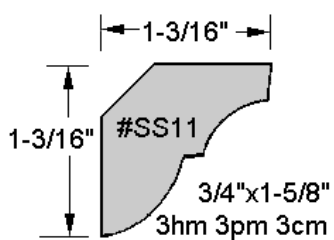
#SS10
5/8" X 3/4"
34hsc

HM = red oak

PM = clear pine or poplar

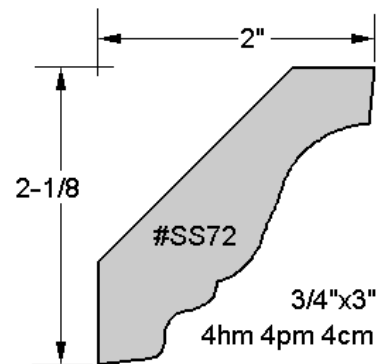
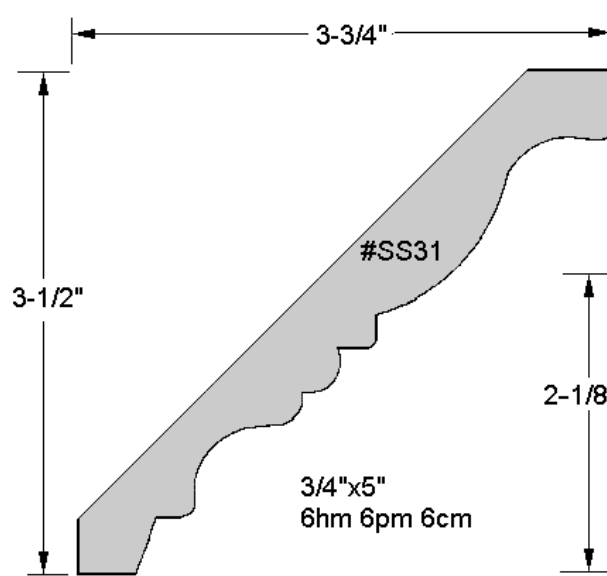
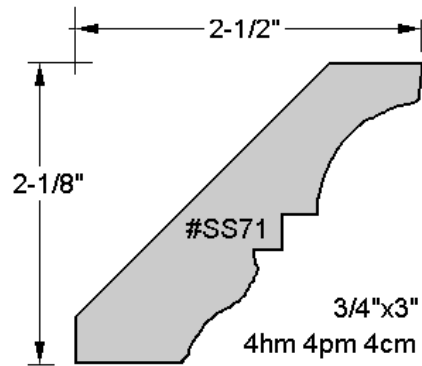
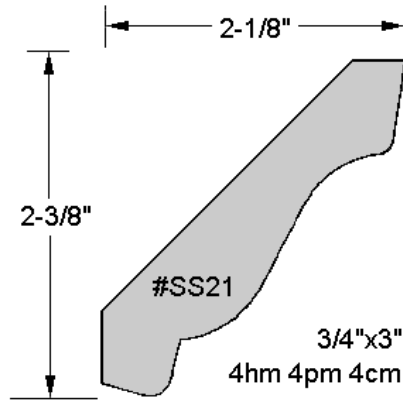
CM = cherry or maple or birch

crown molding 1





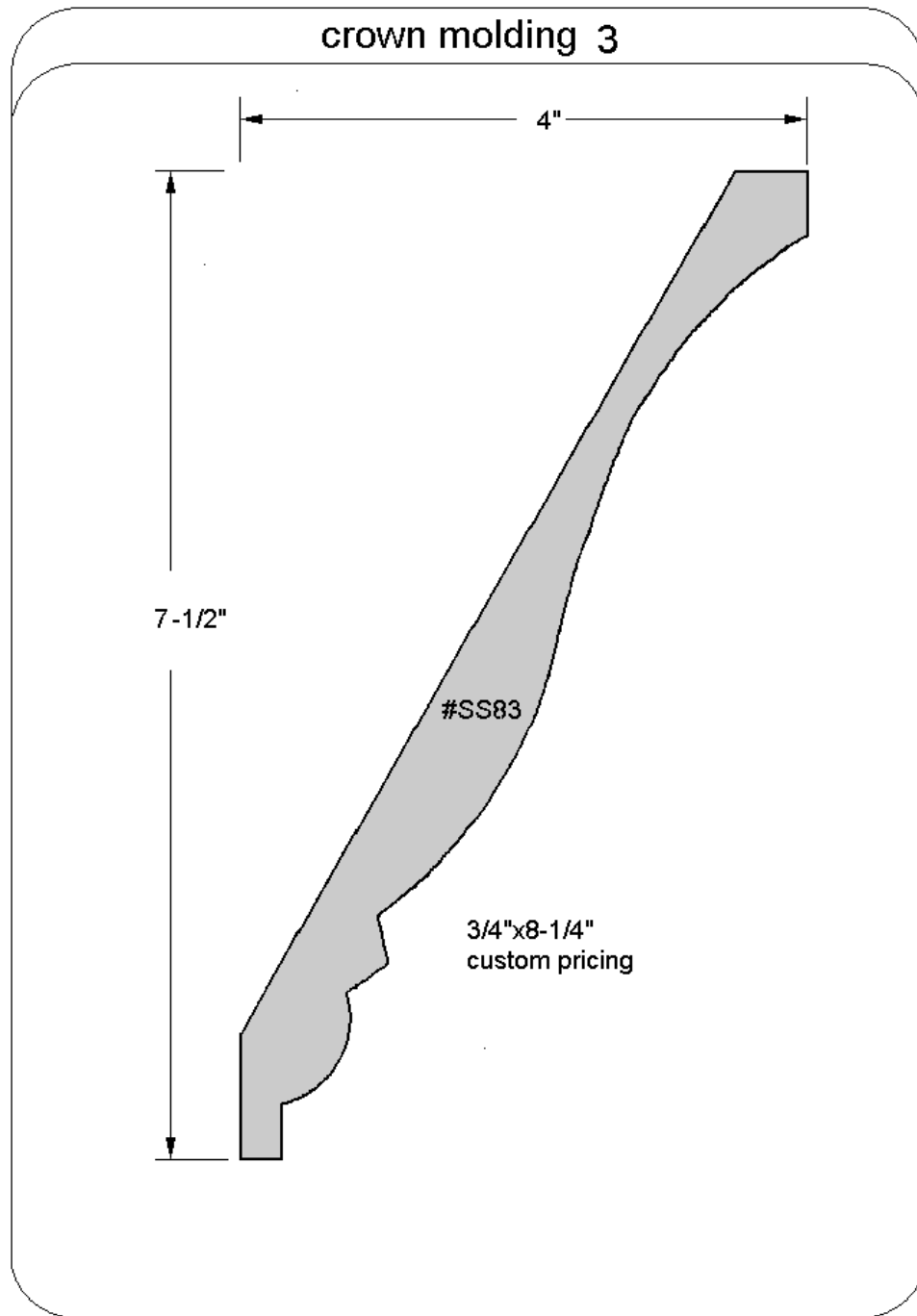
crown molding 2



HM = red oak

PM = clear pine or poplar

CM = cherry or maple or birch



#SS83

3/4"x8-1/4"
custom pricing

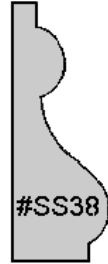
HM = red oak

PM = clear pine or poplar

CM = cherry or maple or birch



multi-purpose



#SS38
5/8"x1-3/4"
hcap



#SS36
11/16"x1-11/16"
hcap



#SS30
11/16"x1-11/16"
hcap



#SS08
11/16" X 1-1/2"
hcap



#SS13
1/2" X 1-5/8"
hcap



#SS39
7/8" X 1-1/4"



#SS14
5/8" X 1-3/8"
hcap



#SS69
9/16"x1-1/16
hcap



#SS06
3/4" X 2-1/8"
3HM 3PM 3CM



#SS58
1"x2-1/8"
3hm 3pm 3cm



#SS60
5/8" X 1"
34hsc



#SS10
5/8" X 3/4"
34hsc

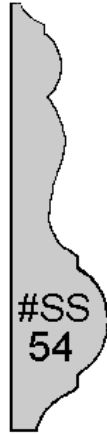
HM = red oak

PM = clear pine or poplar

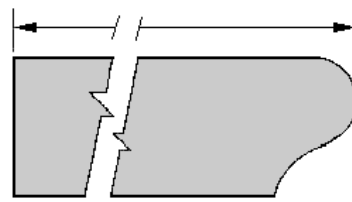
CM = cherry or maple or birch



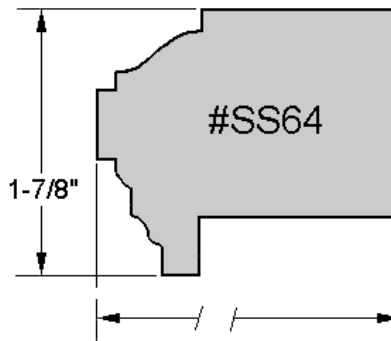
multi-purpose 2



3/4"X3-1/2"
4HM 4PM 4CM



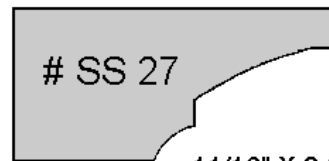
SS 42
1" X custom"
window sill
price based on
final dimension & wood species



1-7/8"
price based on
final dimension & wood species



1"x1-13/16"
3hm 3pm 3cm



SS 27
11/16" X 2-3/16"
4HM 4PM 4CM

HM = red oak

PM = clear pine or poplar

CM = cherry or maple or birch



multi-purpose 3

QUARTER ROUND



1/2"



5/8"



3/4"



7/8"

SHOE MOLDING



1/2"



5/8"



3/4"



7/8"

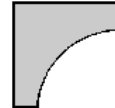
SCOTIA AND COVES



1/2 x 1/2



5/8"x5/8"



SS 12
3/4" X 3/4"
34HSC



1/2 x 7/8



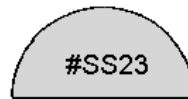
5/8 x 3/4



11/16 x 7/8



11/16 x 1 1/8



#SS23

5/8" X 1-1/4"
34HSC

HM = red oak

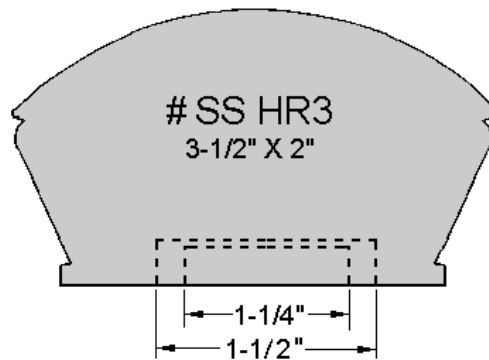
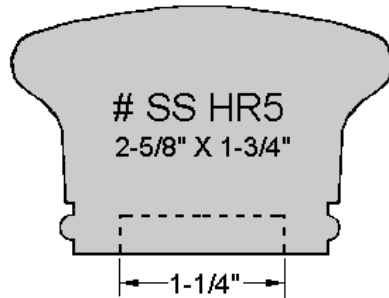
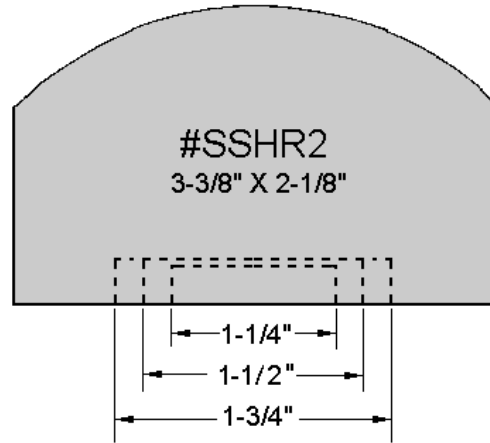
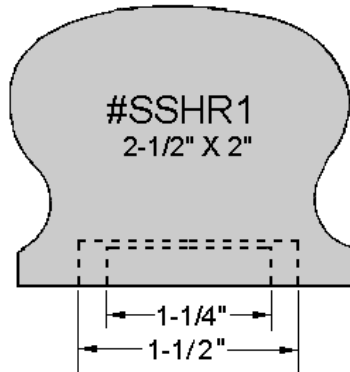
PM = clear pine or poplar

CM = cherry or maple or birch



handrails 1

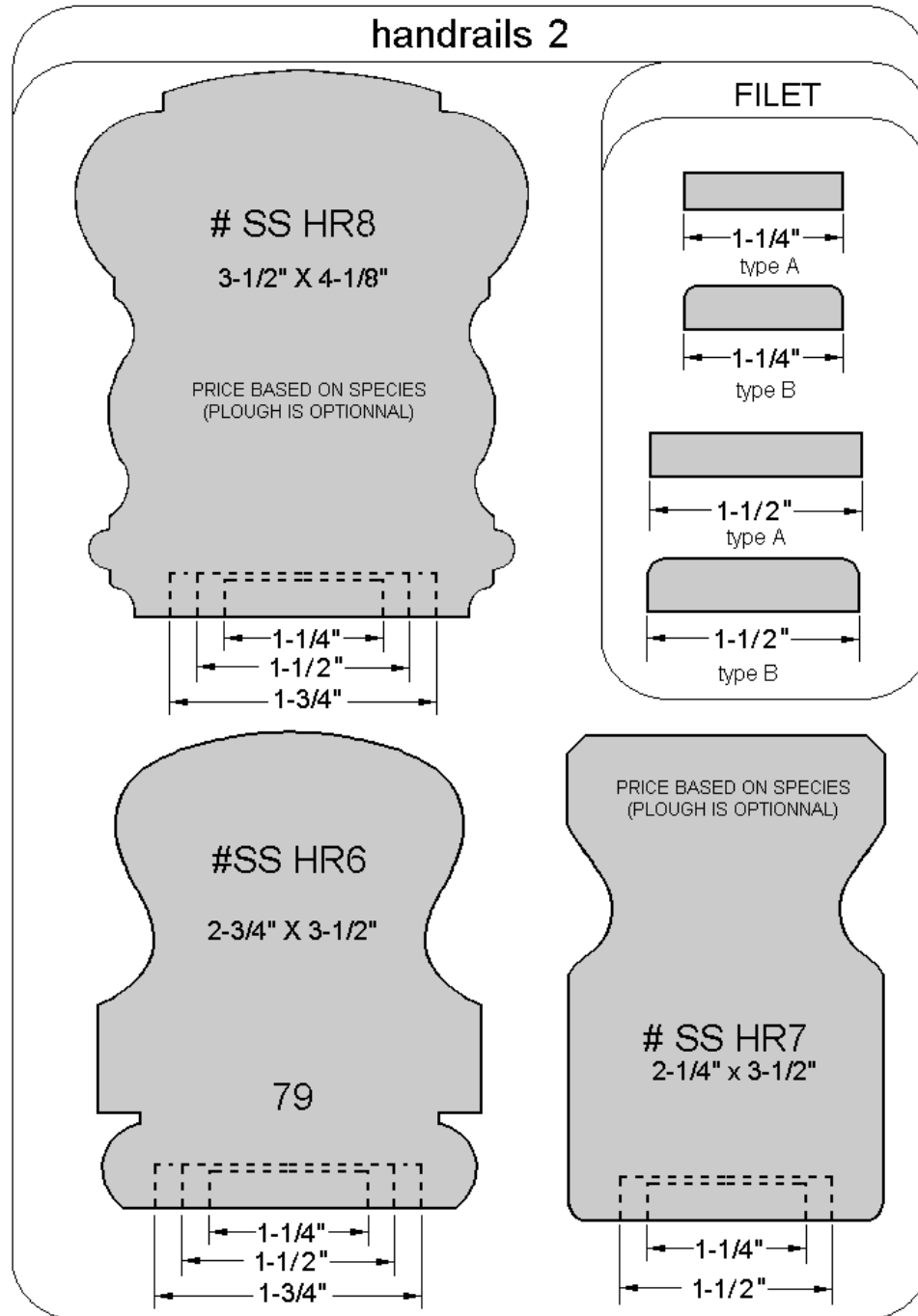
PRICE BASED ON SPECIES
(PLOUGH IS OPTIONNAL)



HM = red oak

PM = clear pine or poplar

CM = cherry or maple or birch



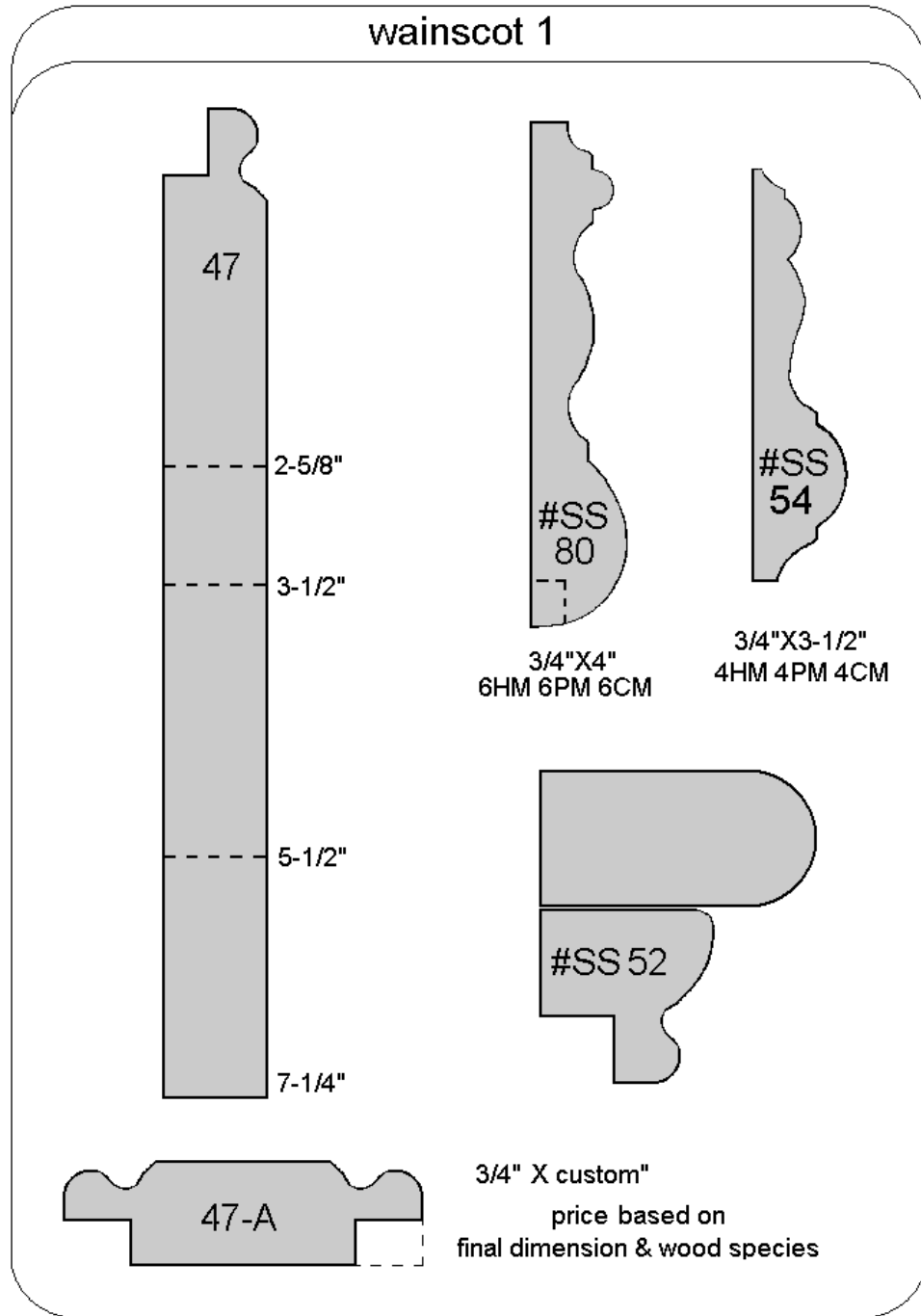
HM = red oak

PM = clear pine or poplar

CM = cherry or maple or birch



wainscot 1



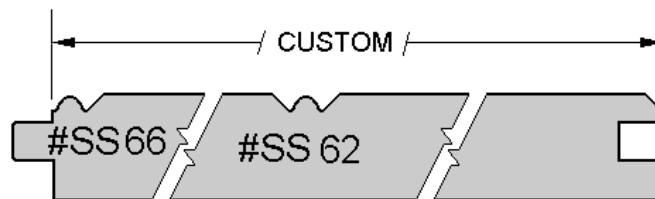
HM = red oak

PM = clear pine or poplar

CM = cherry or maple or birch



beadboards



"STANDARD"
EDGE&CENTER BEAD
CAN BE MADE UP TO
11-1/4" WIDE

THE CENTER BEAD IS
OPTIONNAL



SS 41
1/2" X 2-13/16"
3HM 3PM 3CM

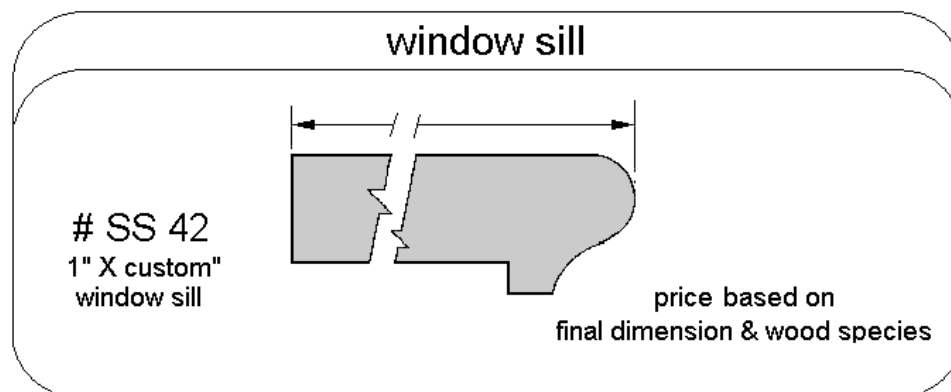
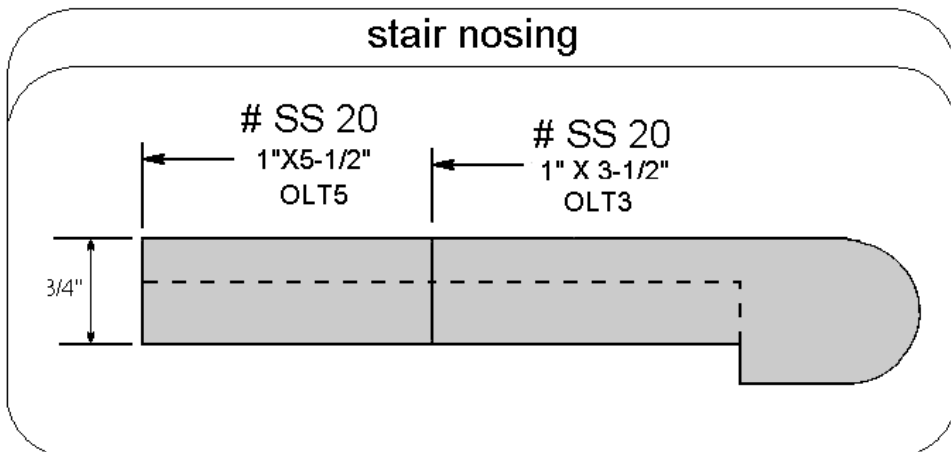
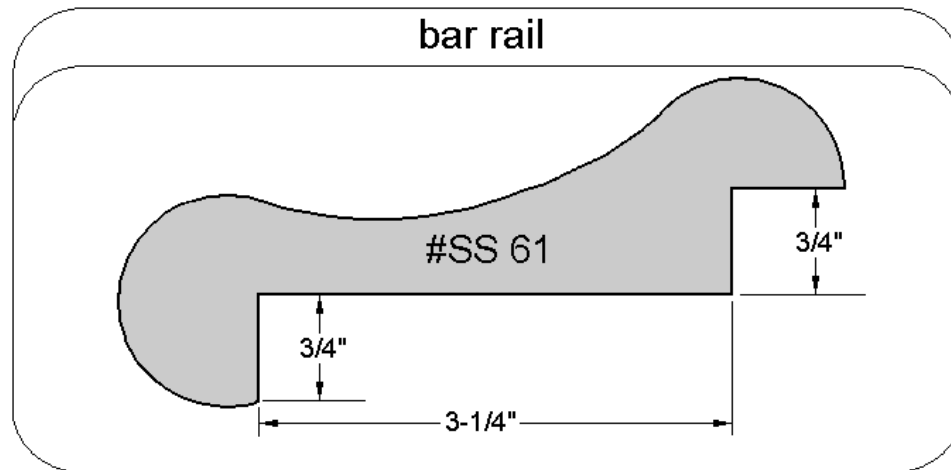


SS 25
5/16" X 3-1/2"
PWAIN (POPLAR & PINE)
HWAIN (OAK,ASH & BIRCH)
CWAIN (CHERRY)
MWAIN (MAPLE)

HM = red oak

PM = clear pine or poplar

CM = cherry or maple or birch



HM = red oak

PM = clear pine or poplar

CM = cherry or maple or birch



Custom Moldings Catalog

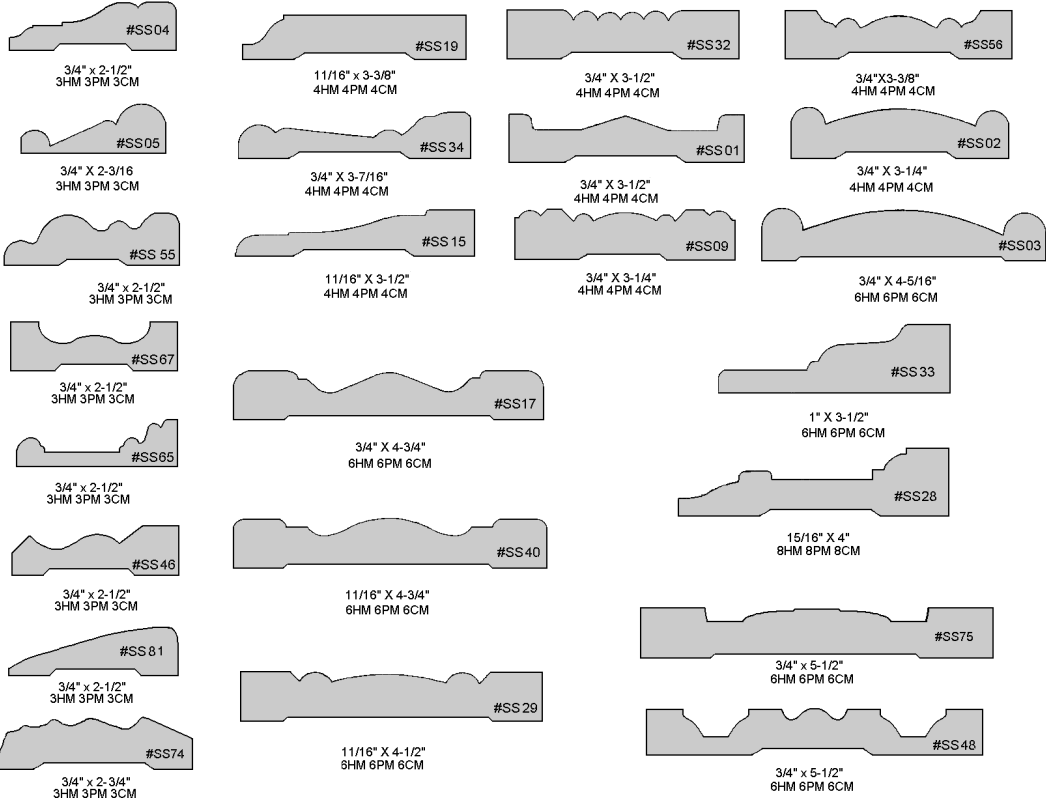


Molding

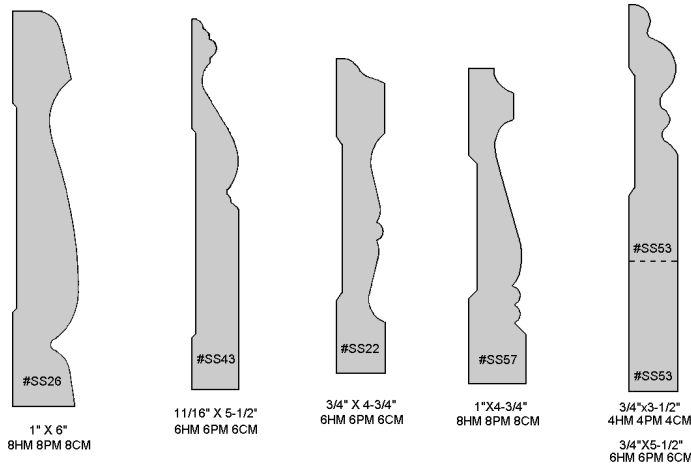
HM = red oak or birch
PM = clear pine or poplar
CM = cherry or maple

STICKS & STUFF CUSTOM MILLSHOP

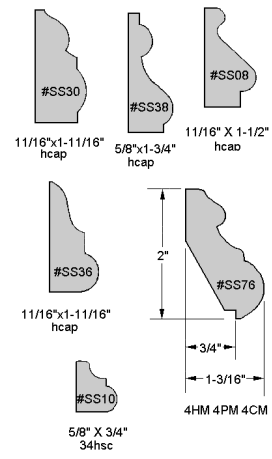
window & door casing



base molding



base cap



ALL S&S MILLSHOP MOLDINGS ARE SPECIAL ORDER AND NON-RETURNABLE --- PRIMING, STAINING AND FINISHING ARE AVAILABLE



Custom Moldings Catalog



Molding

HM = red oak or birch
PM = clear pine or poplar
CM = cherry or maple

STICKS & STUFF CUSTOM MILLSHOP

multi-purpose

#SS38 5/8" X 1-3/4" hcap
#SS36 11/16" X 1-11/16" hcap
#SS30 11/16" X 1-11/16" hcap
#SS08 11/16" X 1-1/2" hcap

#SS13 1/2" X 1-5/8" hcap
#SS39 7/8" X 1-1/4"
#SS14 5/8" X 1-3/8" hcap
#SS09 9/16" X 1-1/16" hcap

#SS06 3/4" X 2-1/8" 3HM 3PM 3CM
#SS58 1" X 2-1/8" 3hm 3pm 3cm
#SS10 5/8" X 3/4" 34hsc

#SS54 1" X 1-13/16" 3hm 3pm 3cm
#SS70 11/16" X 2-3/16" 4HM 4PM 4CM

#SS64 1-7/8" height, price based on final dimension & wood species

#SS23 5/8" X 1-1/4" 34HSC

QUARTER ROUND
1/2" 5/8" 3/4" 7/8"

SCOTIA
1/2 x 7/8, 5/8 x 3/4, 11/16 x 7/8, 11/16 x 1 1/8, 1/2 x 1/2, 5/8" X 5/8"

SS 12 3/4" X 3/4" 34HSC

crown crown crown crown

#SS11 1-3/16" width, 1-3/16" height, 3/4" X 1-5/8" 3hm 3pm 3cm
#SS37 1-1/2" width, 1-1/2" height, 3/4" X 2-1/8" 3hm 3pm 3cm
#SS46 1-7/8" width, 1-7/8" height, 3/4" X 2-1/8" 3hm 3pm 3cm
#SS35 1-7/8" width, 1-7/8" height, 5/8" X 2-1/2" 3hm 3pm 3cm

#SS07 2" width, 2" height, 3/4" X 2-3/4" 3hm 3pm 3cm
#SS18 2-1/4" width, 2-1/8" height, 3/4" X 3" 4hm 4pm 4cm
#SS21 2-1/8" width, 2-3/8" height, 3/4" X 3" 4hm 4pm 4cm

#SS71 2-1/2" width, 2-1/8" height, 3/4" X 3" 4hm 4pm 4cm
#SS31 3-3/4" width, 3-1/2" height, 3/4" X 5" 6hm 6pm 6cm

#SS72 2" width, 2-1/8" height, 3/4" X 3" 4hm 4pm 4cm
#SS24 3-1/4" width, 3-1/4" height, 3/4" X 4-1/2" 6hm 6pm 6cm

#SS83 4" width, 7-1/2" height, 3/4" X 8-1/4" custom pricing
#SS16 3-1/4" width, 3-1/2" height, 3/4" X 4-5/8" 6hm 6pm 6cm

ALL S&S MILLSHOP MOLDINGS ARE SPECIAL ORDER AND NON-RETURNABLE - - - PRIMING, STAINING AND FINISHING ARE AVAILABLE



Custom Moldings Catalog



Molding

HM = red oak or birch
PM = clear pine or poplar
CM = cherry or maple

STICKS & STUFF CUSTOM MILLSHOP

WAINSCOT SYSTEMS & CHAIR RAILS

#SS 62
CUSTOM
"STANDARD" EDGE & CENTER BEAD CAN BE MADE UP TO 11-1/4" WIDE
THE CENTER BEAD IS OPTIONAL

SS 41
1/2" X 2-13/16"
3HM 3PM 3CM

SS 25
5/16" X 3-1/2"
PWAIN (POPLAR & PINE) HWAIN (OAK, ASH & BIRCH) CWAIN (CHERRY) MWAIN (MAPLE)

47-A
3/4" X custom"

47
51
2-5/8"
3-1/2"
5-1/2"
7-1/4"
price based on final dimension & wood species

#SS 80
3/4" X 3-1/2"
4HM 4PM 4CM

#SS 54

#SS 52

SS 42
1" X custom"
window sill
price based on final dimension & wood species

FLOOR NOSING / LANDING TREAD

SS 20
1" X 5-1/2"
OLT5

SS 20
1" X 3-1/2"
OLT3

3/4"

BAR RAIL

#SS 61
3/4"
3-1/4"

HANDRAILS

PRICE BASED ON SPECIES (FLOUGH IS OPTIONAL)

#SSHR1
2-1/2" X 2"
1-1/4"
1-1/2"

#SSHR2
3-3/8" X 2-1/8"
1-1/4"
1-1/2"
1-3/4"

SS HR3
3-1/2" X 2"
1-1/4"
1-1/2"
1-3/4"

SS HR5
2-5/8" X 1-3/4"
1-1/4"

SS HR4
1-3/4" X 1-1/2"

#SS HR6
2-3/4" X 3-1/2"
79
1-1/4"
1-1/2"
1-3/4"

SS HR8
3-1/2" X 4-1/8"
1-1/4"
1-1/2"
1-3/4"

SS HR7
2-1/4" X 3-1/2"
1-1/4"
1-1/2"
1-3/4"

FILET

1-1/4" type A
1-1/4" type B
1-1/2" type A
1-1/2" type B

ALL S&S MILLSHOP MOLDINGS ARE SPECIAL ORDER AND NON-RETURNABLE --- PRIMING, STAINING AND FINISHING ARE AVAILABLE